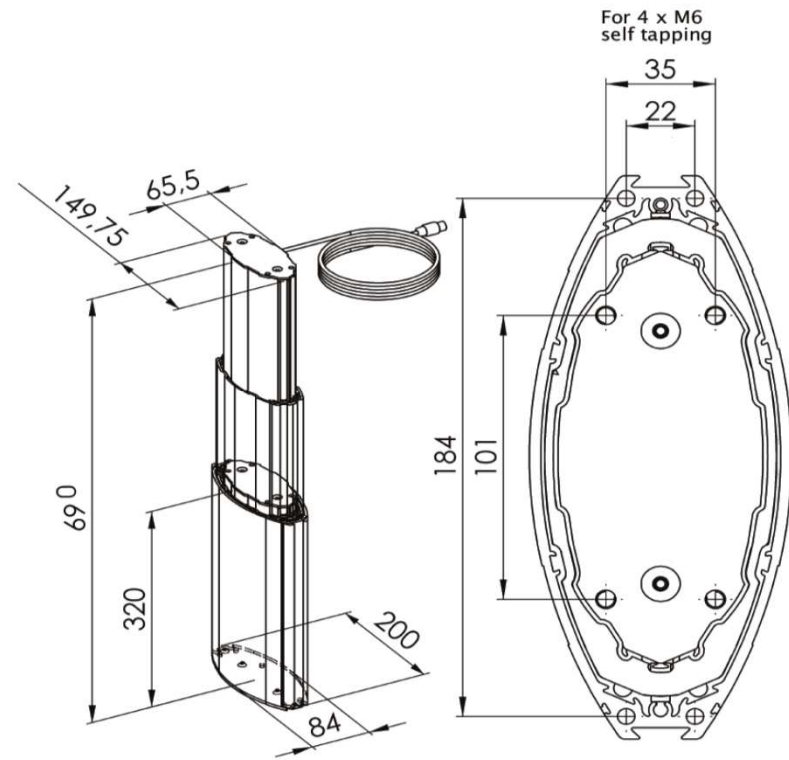


COLONNES ELECTRIQUES

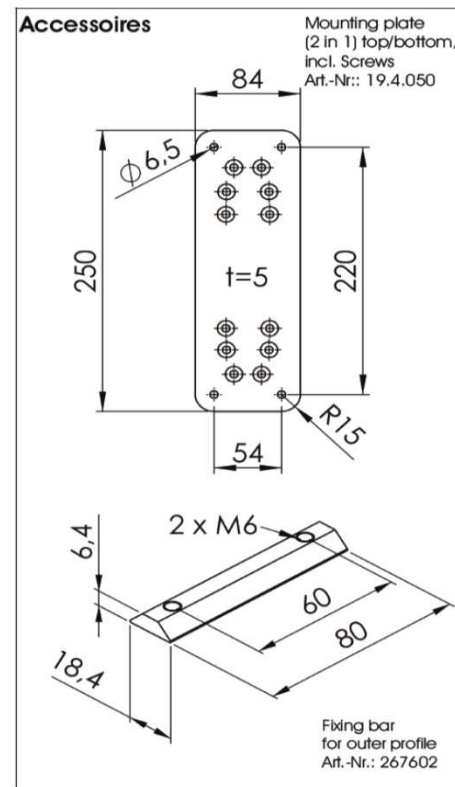
COLONNE TELESCOPIQUE ELECTRIQUE  
encombrement : 580/1280  
F1 800N

ALUMINIUM 3 SECTIONS  
course : 700  
vitesse : 45 mm/s

T 180/3



**T180/3**  
Other lengths and strokes please inquire



**Telescopic lifter T 180/3-320**

Art.Nr.	<b>T 180K370320DDD24</b>
Max. Force (pushing):	800 N
Max. Turning moment:	200 Nm statically 100 Nm dynamically
Max. Speed:	45 mm/s at 24V without load
Drive/Motor:	Integrated 24 V DC drive with integrated Limit switches and two hall sensors
Cable length :	1200 mm, 8-pin plug
Duty rating:	10 % (S3) intermittend operation max. load (1 min. on /9 min. off)
Installation geometry:	preferably pushing
Synchronous operation:	1- 12 lifters, max. Force please inquire
Tempature range:	+10° to +40°
IP:	For use in dry environments only
Weight:	7,1kg
Stroke tolerance depends on load, voltage and spindle size	
Refer to accessoires section for assembly and mounting components	



**T-180/3**

Larger section profile, two-stage telescopic pillar of modern design used in many lifting applications. Internal DC actuator drive for lift forces to 800 N and linear speeds to 45 mm/sec. This pillar is especially suited to sitting/standing desk and other applications with extra long stroke.

