

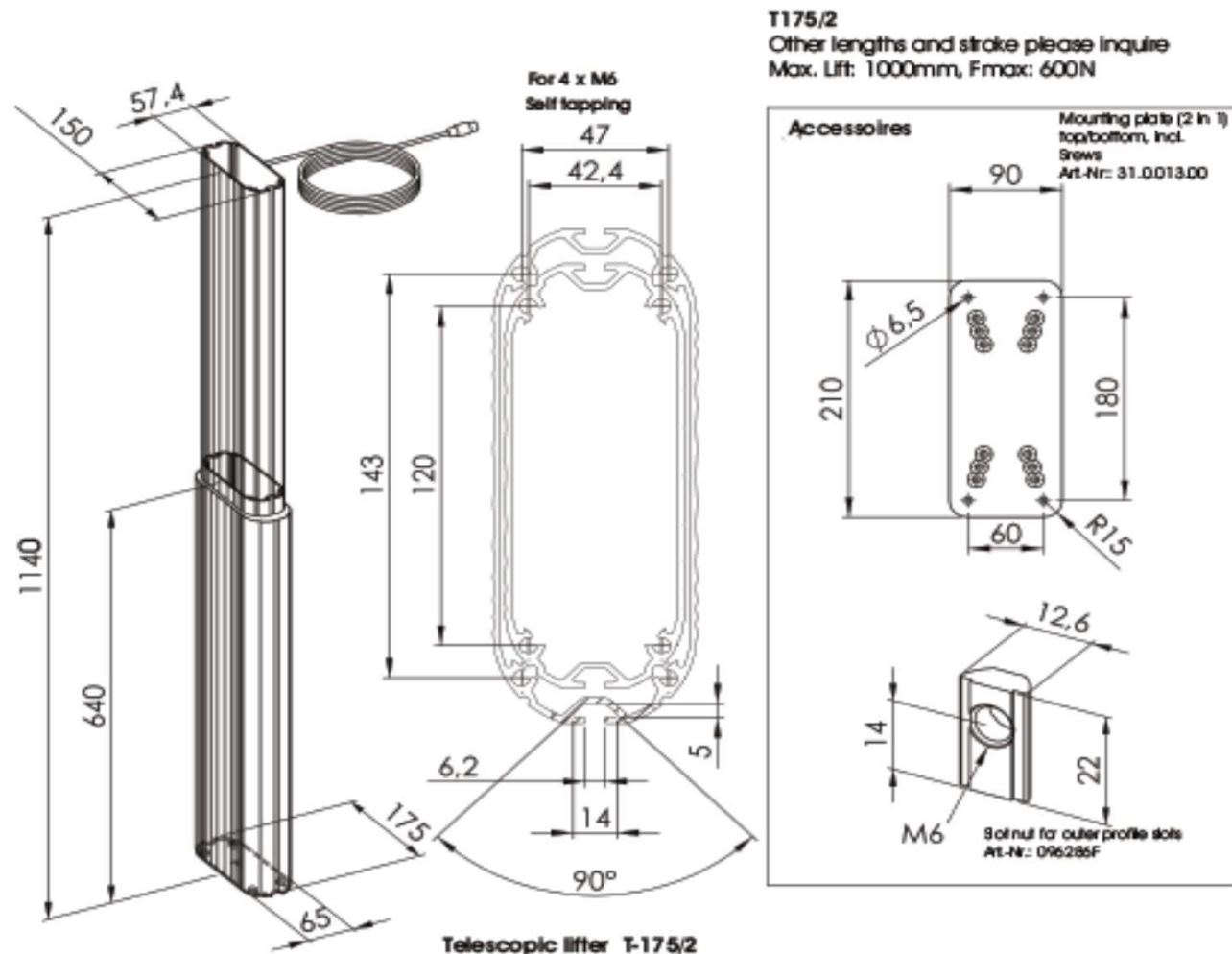
COLONNES ELECTRIQUES

COLONNE TELESCOPIQUE ELECTRIQUE
encombrement : 640/1140
F1 800N

ALUMINIUM 2 SECTIONS
course : 500 mm
vitesse : 25 mm/s

TR 175 / 2

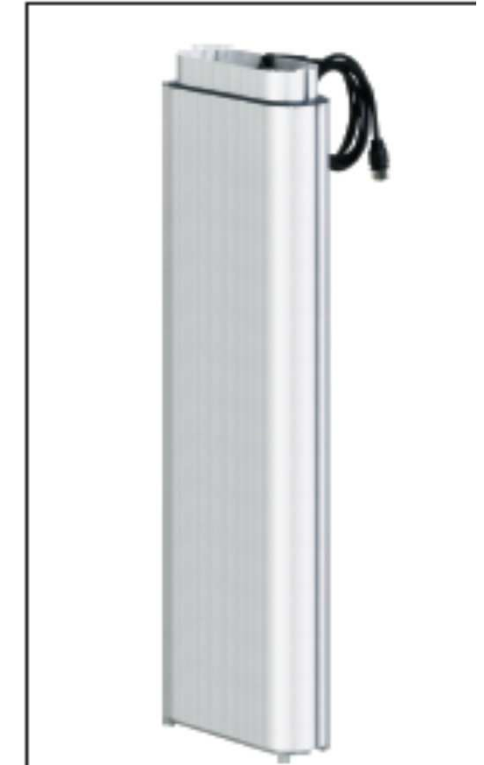
Peut être mis en série



Telescopic lifter T-175/2

Art.Nr.	T 175I500640CCC24
Max. Force (pushing):	800 N
Max. Turning moment:	200 Nm in statically 100 Nm dynamically
Max. Speed:	25 mm/s at 24V without load
Motor/Drive:	Integrated DC drive 24 V with integrated limit switches and two hall sensors
Cable length:	ca. 1200 mm, 8-pin plug
Duty rating:	10 % (S3) intermittent operation max. load (1 min. on / 9 min. off)
Installation geometry:	preferably pushing
Synchronous operation	1- 12 lifters, max. force 2500N
Temperatur range:	+10° bis +40°
IP:	For use in dry environment
Weight:	5,3 kg

Stroke tolerance depends on load, voltage and spindle size
Refer to accessories section for assembly and mounting components



T-175 / 2
Single-stage telescopic pillar of modern design used in many lifting applications. Very quiet, internal DC actuator drive for lift forces to 800 N and linear speeds to 25 mm/sec. This pillar is especially suited to sitting/standing desk or other applications.