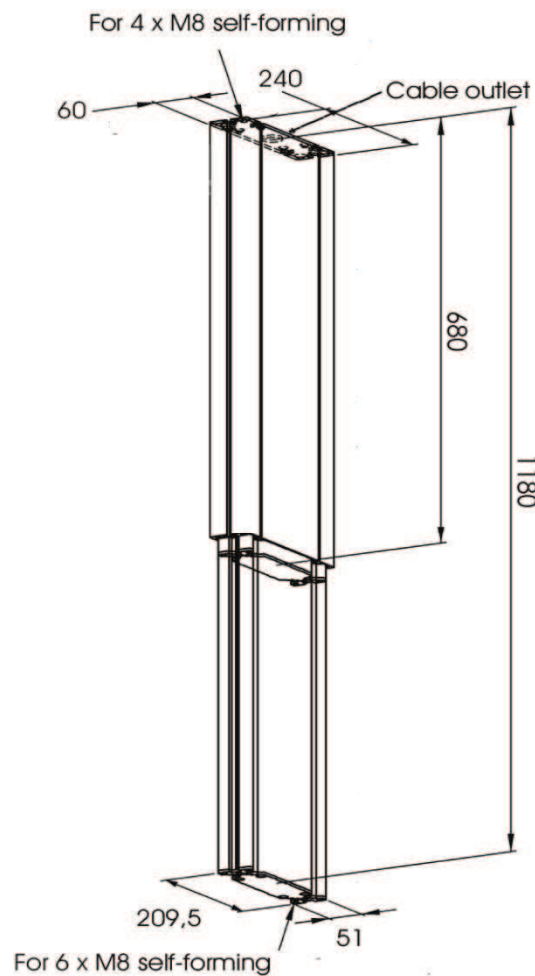


COLONNES ELECTRIQUES

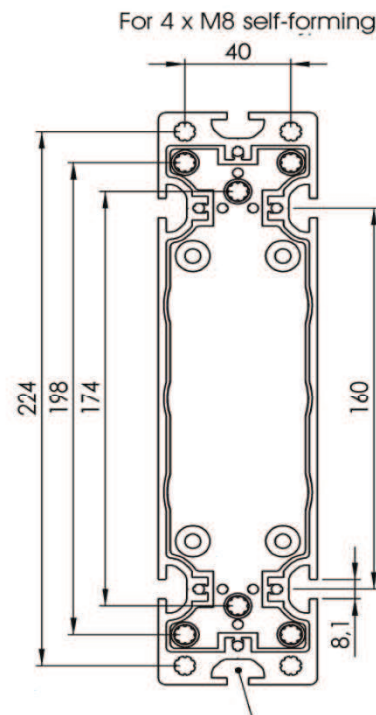
COLONNE TELESCOPIQUE ELECTRIQUE
encombrement : 680/1180
F1 800N

ALUMINIUM 2 SECTIONS POUR CHARGES LOURDES
course : 500 mm
vitesse : 18 mm/s

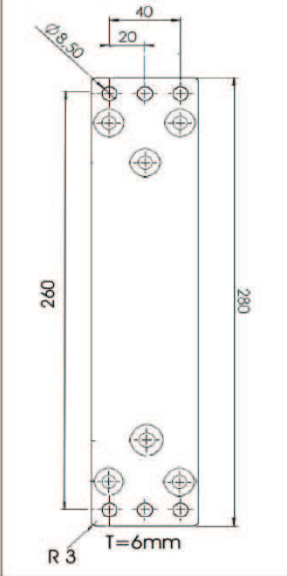
HEXAFLIT



Hexalift two-stage
Other lengths and strokes
on demand, max. Stroke
700mm, Fmax 2500N



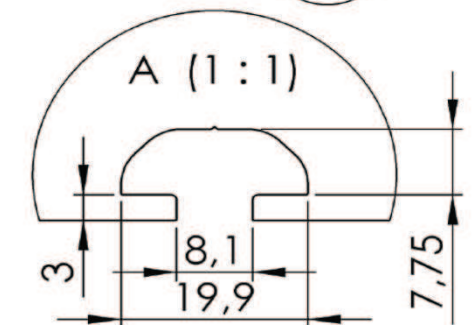
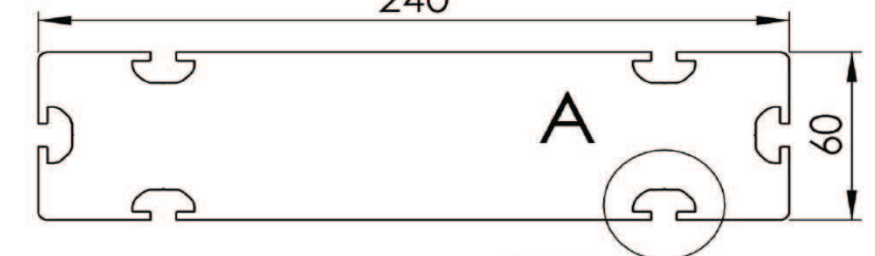
Accessoires
Mounting Plate
for inner and outer
profile, steel, zinc plated,
Art Nr. EZ00452



For M6 and M8 slotnuts see Accessoires
Slot depth 7,75mm, Slot width 19,9mm



Outer profile Hexalift with 6 x slot
240



Telescopic Pilar Hexalift anodised aluminium

V1: HD240D500680FFF24 V2: HM240D500680FFF24

Max. thrust force (pushing): V1: 3200 N, V2: 1600N, V3: 1600N, V4: 800N

Max. turning moment: 1200 Nm lengthwise statical, 500 Nm dynamical
450 Nm transverse direction statical, 255Nm dynamical

Linear Speed at 24 V w/o load: V1: 9 mm/s, V2: 18mm/s, V3: 9mm/s, V4: 18mm/s

Drive: Internal 24 V DC actuator with integrated
limit switches and two hall sensors

Cable: 1200 mm, 8-pin plug connector

Duty rating: 10 % (S3) intermittent operation
max. load (2 Min.ON /18 Min.OFF)

Installation geometry: preferably pushing, others by request

Synchronous operation: 1 - 4 pillars max., max. Force please contact us

Temperature range: +10° to +40°

IP: Use in dry conditions only

Weight: 10,6 kg

Linear speed and stroke tolerances depend on force and voltage

Refer to accessoires section for assembly components

Hexalift

Main characteristic feature of the Hexalift is its compatibility to all common industrial profile systems. The hexalift can be easily adapted or integrated in new constructions or existing structures through its six slot nuts. The integrated DC Motor is another outstanding feature which gives even more freedom in industrial constructions. The Hexalift is available in four different versions.